

### Description

The type CVD-C1 Circular Control Damper has been designed to fit into circular ductwork systems where space is restricted.

These versatile dampers are designed to maintain a constant volumetric flow rate. The control system allows for the required flow rate value to be set and can include both upper and lower threshold values.

To ease installation these dampers can be supplied with pre drilled flanges, and are designed to be suitable for mounting in any attitude.

### Specification

#### Casing

The damper casing is made from 2.0 mm thick stainless steel tube, stiffened at either end with welded flange rings to ensure proper alignment of the blade and shaft.

#### Duct Sizes

Minimum Ø 150 mm.  
Maximum Ø 500 mm.

#### Blade

The blade is a formed double-skin aerofoil section of 1.5mm sheet metal.

#### Shaft

Continuous shaft Ø 19.05 mm plug and stitch welded to the blade.

#### Bearings

Phosphor bronze self lubricated 'Oilite' flanged bushes fitted into a fully welded boss. A lip seal is included to ensure a leak proof damper case.

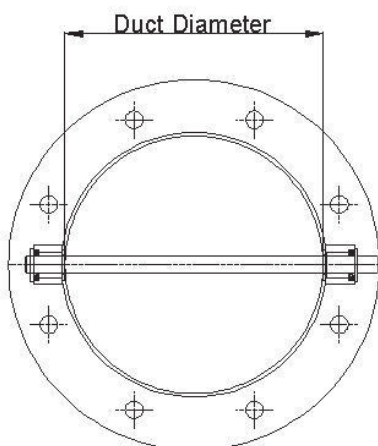
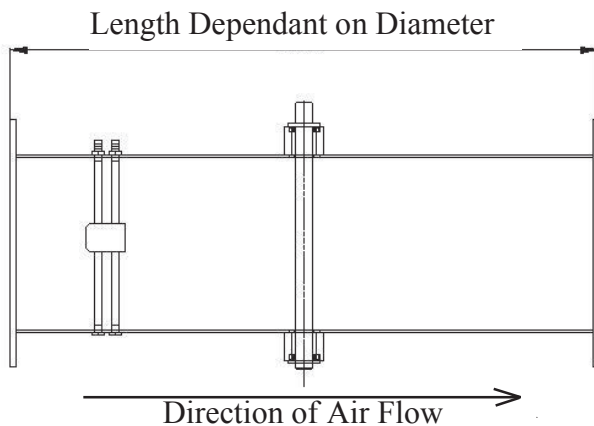
#### Operation

The Damper is operated by an electric modulating actuator connected to a stand alone volumetric control device. This linked with an integral flow grid can measure the volumetric flow through the damper and maintain the volume against a pre-set value.

The damper can be factory set to customer requirements and supplied with a flow test certificate of conformity.

#### Options

- Materials can be 304L or 316L stainless steel.
- Earth continuity bosses.
- Lifting lugs.
- Integral or removable enclosures for housing control equipment.
- High temperature bearings.

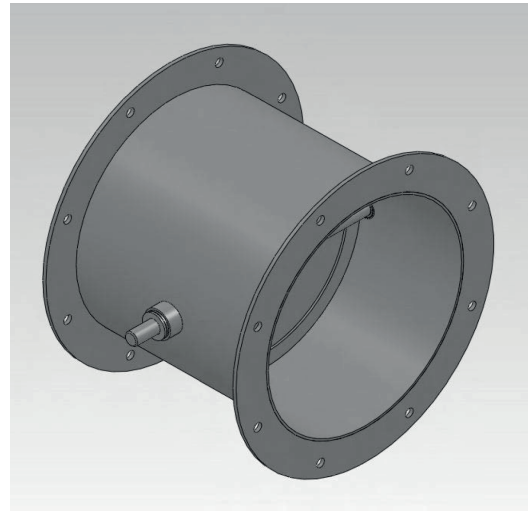


# Circular Control Damper CCD-C1

## Installation & Assembly

### Installation notes

The normally accepted method of installing these dampers is via a channel combing welded round the fire division aperture, with the damper bolted to the combing after insertion of an appropriate gasket.

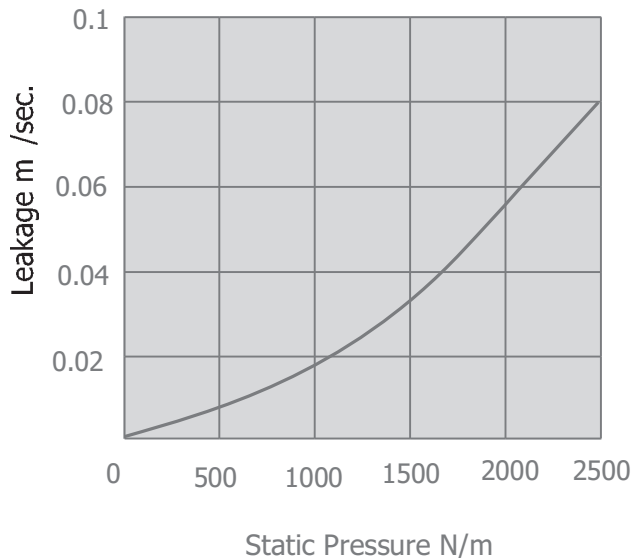


Minimum Diameter - 150mm

Maximum Diameter - 1200mm

### LEAKAGE CHARACTERISTIC CURVE

Tolerance 15



### OPEN PRESSURE DROP CHARACTERISTIC CURVE

Tolerance 15

